



COMM SERIES

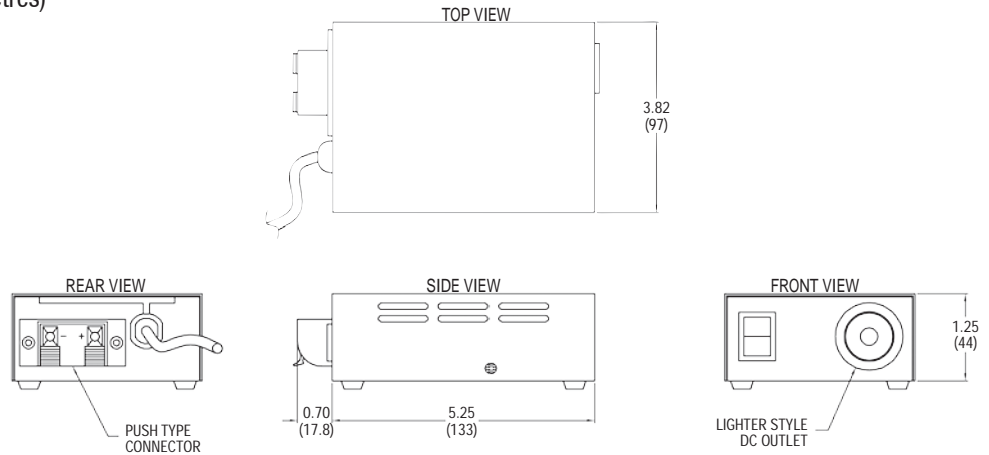
Communications Power Supplies in 12, 24 and 48VDC Output

50–75 Watt Models

Dimensions shown in inches and (millimetres)

Includes Model Numbers

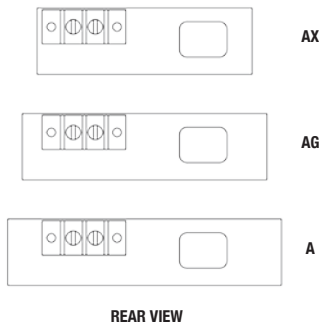
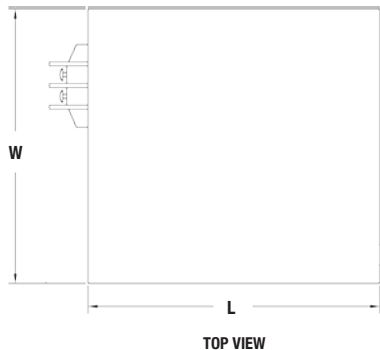
- ICT12012–4A
- ICT12012–6A



100–200 Watt Models

	L	W	H
A	7.6 (193)	7.1 (180)	1.8 (45)
AG	7.6 (193)	6.4 (162)	1.8 (45)
AX	7.1 (180)	5.6 (142)	1.8 (45)

SCREW SIZE: #8–32 ZINC PLATED
TORQUE RATING: 16 IN–LB MAX
WIRE RANGE: 10–16 AWG



Includes Model Numbers

- | | | |
|--------------|---------------|---------------|
| ICT12012–10A | ICT12012–10AG | ICT12012–10AX |
| ICT12012–12A | ICT12012–12AG | ICT12012–12AX |
| ICT12024–5A | | |
| ICT12048–3A | | |



COMM SERIES

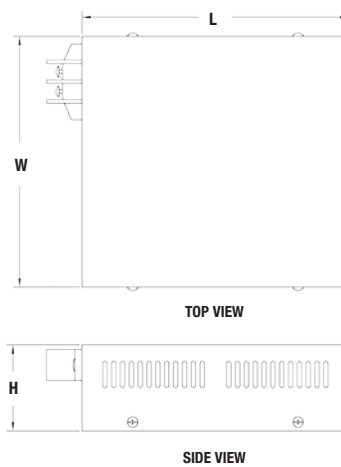
Communications Power Supplies in 12, 24 and 48VDC Output

200–500 Watt Models

Includes Model Numbers

ICT12012–15A	ICT12012–15AG	ICT12012–15AX
ICT12012–20A	ICT12012–20AG	ICT12012–20AX
ICT12012–30A	ICT12012–30AG	ICT12012–30AX
ICT12024–10A		
ICT12024–15A		
ICT12048–5A		

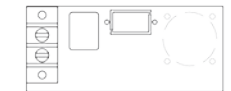
	L	W	H
A	7.6 (193)	7.1 (180)	2.5 (63)
AG	8.5 (216)	6.4 (162)	2.5 (63)
AX	8.5 (216)	5.6 (142)	2.5 (63)



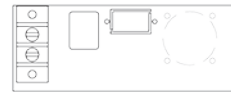
SCREW SIZE: #8–32 ZINC PLATED
TORQUE RATING: 16 IN–LB MAX
WIRE RANGE: 10–16 AWG



2 POLE TERMINAL BLOCK



AX

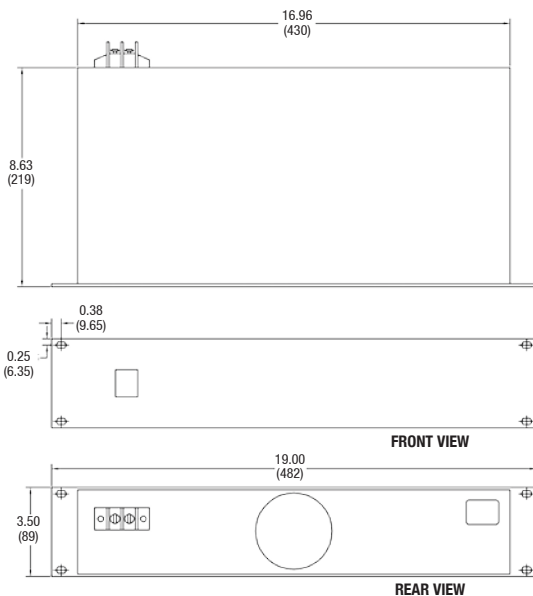


AG



A

600–720 Watt Models



SCREW SIZE: #8–32 ZINC PLATED
TORQUE RATING: 16 IN–LB MAX
WIRE RANGE: 10–16 AWG



DOUBLE-ROW TERMINAL STRIP

Includes Model Numbers

ICT12048–12AR

ICT12048–15AR