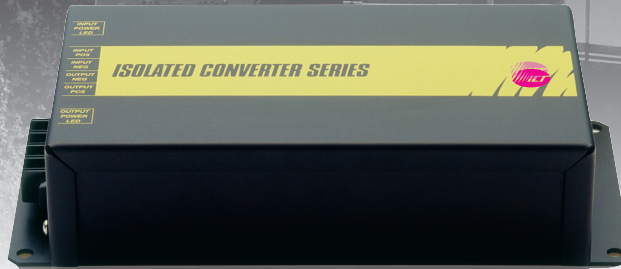




# ICT ISOLATED CONVERTERS



ICT2060-20 AIW (model shown)

## FEATURE HIGHLIGHTS

- High Efficiency
- Current Limiting
- Fuse Protection
- No Internal Wiring
- Terminal Block Connection
- Rugged Case
- Moisture Resistant
- Vibration Resistant
- Industry Proven

## PRODUCT INFORMATION

The ICT Isolated Series converters have been designed to operate from a negative or positive ground electrical system, providing complete isolation between primary and secondary circuits, as well as isolation from the chassis. Standard voltage ranges include: 12VDC-12VDC, 12VDC-24VDC, 12VDC-48VDC, and wide range inputs of 20-60VDC-12VDC or 50-100VDC-12VDC. Extra input filtering and spike detection are standard and essential for all applications including site and heavy-duty industrial equipment. The ICT50100-12AIW is ideally suited for 72V railroad locomotive applications.

	Configs.	Input Voltage Range		Output Voltage	Output Current (Cont.)	Output Current (Peak)	Current Limiting	Line Regulation	Load Regulation	Output Ripple (Max)	Efficiency (Typical)	Fuse	
		AIW	AIR										
12 Volt	ICT1212-12	●		10-18 VDC	13.8 VDC +/- 100 mV	10.0 Amps	12.0 Amps	12.5 Amps +/- 5%	1.00%	0.50%	20 mV RMS	89%	20 Amp
	ICT1212-20	●	●	11-18 VDC	13.8 VDC +/- 100 mV	16.0 Amps	20.0 Amps	20.5 Amps +/- 5%	1.00%	0.75%	25 mV RMS	85%	35 Amp
	ICT1224-5	●	●	11-18 VDC	27.6 VDC +/- 300 mV	4.0 Amps	5.0 Amps	5.5 Amps +/- 5%	1.00%	0.50%	40 mV RMS	85%	15 Amp
	ICT1224-10	●	●	11-18 VDC	27.6 VDC +/- 300 mV	8.0 Amps	10.0 Amps	10.5 Amps +/- 5%	1.00%	0.75%	40 mV RMS	85%	30 Amp
	ICT1248-5	●	●	11-18 VDC	48.0 VDC +/- 150 mV	5.0 Amps	5.5 Amps	5.5 Amps +/- 5%	1.00%	0.75%	40 mV RMS	80%	30 Amp
	ICT2448-5	●		21-30 VDC	48.0 VDC +/- 300 mV	4.0 Amps	5.0 Amps	5.5 Amps +/- 5%	1.00%	1.00%	40 mV RMS	85%	20 Amp
Wide Range	ICT2060-12	●	●	20-60 VDC	13.8 VDC +/- 150 mV	10.0 Amps	12.0 Amps	12.5 Amps +/- 5%	0.75%	0.50%	40 mV RMS	85%	12 Amp
	ICT2060-20	●	●	20-60 VDC	13.8 VDC +/- 150 mV	17.0 Amps	20.0 Amps	20.5 Amps +/- 5%	0.75%	0.75%	40 mV RMS	85%	20 Amp
	ICT206024-5	●	●	20-60 VDC	27.6 VDC +/- 300 mV	4.0 Amps	5.0 Amps	5.5 Amps +/- 5%	1.00%	1.00%	40 mV RMS	83%	12 Amp
	ICT206024-10	●	●	24-60 VDC	27.6 VDC +/- 300 mV	8.0 Amps	10.0 Amps	10.5 Amps +/- 5%	1.00%	1.00%	40 mV RMS	82%	20 Amp
	ICT50100-12	●	●	50-100 VDC	13.8 VDC +/- 150 mV	10.0 Amps	12.0 Amps	12.5 Amps +/- 5%	0.50%	0.50%	40 mV RMS	85%	12 Amp
	ICT50100-20	●	●	50-100 VDC	13.8 VDC +/- 150 mV	17.0 Amps	20.0 Amps	20.5 Amps +/- 5%	0.50%	0.75%	40 mV RMS	85%	20 Amp
	ICT5010024-5	●	●	50-100 VDC	27.6 VDC +/- 300 mV	4.0 Amps	5.0 Amps	5.5 Amps +/- 5%	1.00%	0.80%	40 mV RMS	83%	12 Amp

AIW - Standard Wallmount    AIR - mounted on 19" Rackmount



Innovative Circuit Technology Ltd.

26921 Gloucester Way, Langley, British Columbia, Canada V4W 3Y3

Tel.604.856.6303 Fax.604.856.6365 [technical@ictcorporate.com](mailto:technical@ictcorporate.com) [www.ictcorporate.com](http://www.ictcorporate.com)

Every reasonable effort has been made to ensure that ICT product manuals and promotional materials accurately describe ICT product specifications and capabilities at the time of publication. However, because of ongoing improvements and updating of ICT products, ICT cannot guarantee the accuracy of printed materials after the date of publication and disclaims liability for changes, errors or omissions.

800-083-000

ICT LOGOS AND SLOGAN COPYRIGHT INNOVATIVE CIRCUIT TECHNOLOGY LTD.



# ICT ISOLATED CONVERTERS

## ORDERING INFORMATION

**ICT 12 24 - 10 AIW**

INPUT VOLTAGE OUTPUT VOLTAGE PEAK OUTPUT CURRENT CONFIGURATION

AIW - Standard Wallmount AIR - mounted on 19" Rackmount

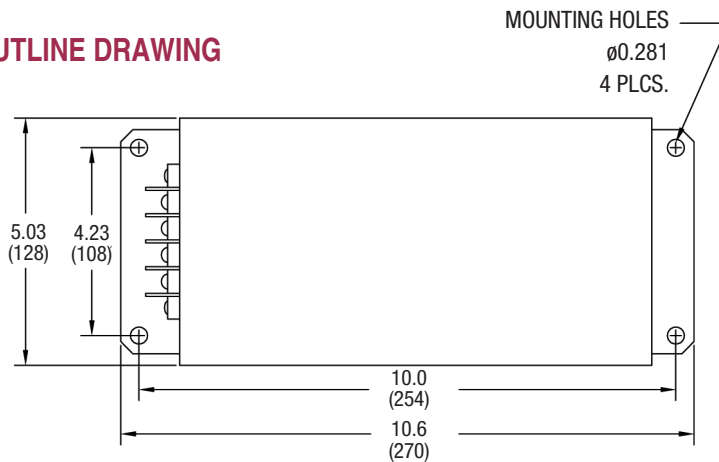
**ICT 20 60 24 - 10 AIW**

INPUT VOLTAGE RANGE (LOW) INPUT VOLTAGE RANGE (HIGH) OUTPUT VOLTAGE PEAK OUTPUT CURRENT CONFIGURATION

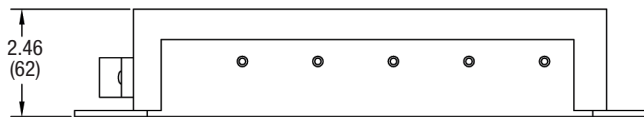
Leave blank for 12VDC

AIW - Standard Wallmount  
AIR - mounted on 19" Rackmount

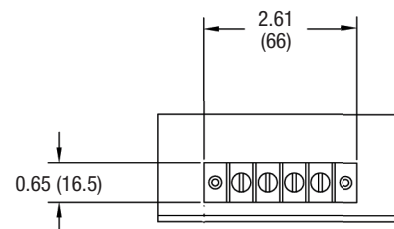
## OUTLINE DRAWING



TOP VIEW



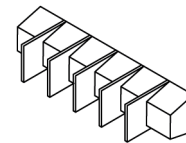
SIDE VIEW



REAR VIEW

DIMENSIONS IN  
INCHES (MILLIMETRES)

SCREW SIZE: #6-32 ZINC PLATED  
TORQUE RATING: 9 IN-LB MAX  
WIRE RANGE: 12-22 AWG



4 POLE TERMINAL BLOCK



THE POWER OF RELIABILITY

Innovative Circuit Technology Ltd.

26921 Gloucester Way, Langley, British Columbia, Canada V4W 3Y3

Tel.604.856.6303 Fax.604.856.6365 [technical@ictcorporate.com](mailto:technical@ictcorporate.com) [www.ictcorporate.com](http://www.ictcorporate.com)

Every reasonable effort has been made to ensure that ICT product manuals and promotional materials accurately describe ICT product specifications and capabilities at the time of publication. However, because of ongoing improvements and updating of ICT products, ICT cannot guarantee the accuracy of printed materials after the date of publication and disclaims liability for changes, errors or omissions.

800-083-000

ICT LOGOS AND SLOGAN COPYRIGHT INNOVATIVE CIRCUIT TECHNOLOGY LTD.